

Dmed® isis LED 10 W

TECHNICAL DATA

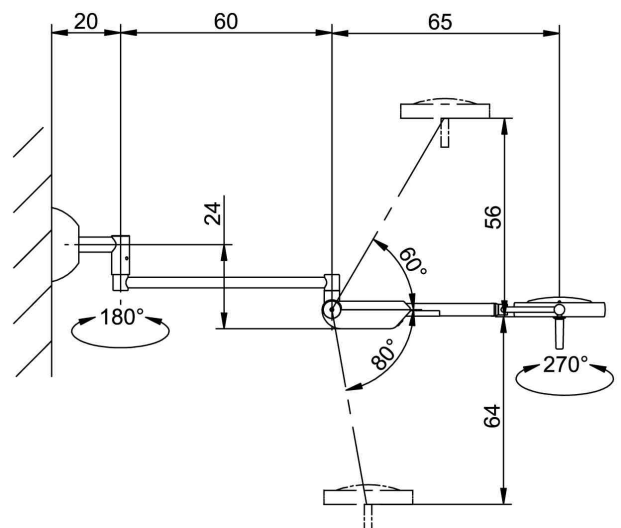
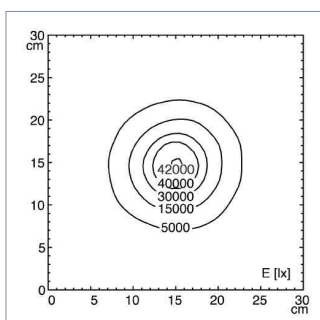
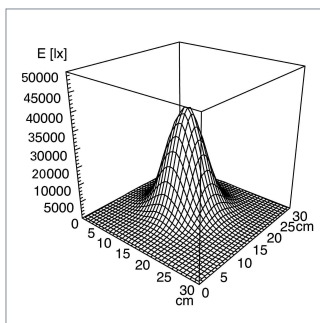
TREATMENT LIGHTS

FITTED WITH	1 x LED lamp
LUMINOUS POWER	42 000 Lux / 1.0 m *
ILLUMINANCEFIELD1.0 M	Ø 18 cm *
COLOR RENDERING INDEX (CRI)	> 95
COLOUR TEMPERATUR	4300 K *
DEPTH OF ILLUMINATION L1+L2	1.47 m
WORK EQUIPMENT	electronic converter
CONNECTED LOAD	220-240V; 50/60Hz
MAINS LEAD	direct power supply
LUMINAIRE BODY	polycarbonate & acrylonitrile butadiene styrene copolymer (PC & ABS)
WEIGHT (NET)	11.0 kg
POWER CONSUMPTION	16 W
USAGE	rocker switch (I/O), 2-stages rocker switch (60/100 %)
BALANCE OF ARTICULATION JOINTS	spring (weight compensation)
CLASS OF PROTECTION	I
ACCESSORY	sterilizable handle
NORMS	EN 60601-1, EN 60601-2-41
SPECIAL FEATURES	without grip, maintenance free
FASTENING	wall mount
SYSTEM OF PROTECTION	IP 40
ORDER NUMBER	D15487000 - pure white



LIGHT DISTRIBUTION

TECHNICAL DRAWING



* -10% / +20% tolerance