

Dmed® isis LED Duo 10/10 C

TECHNICAL DATA

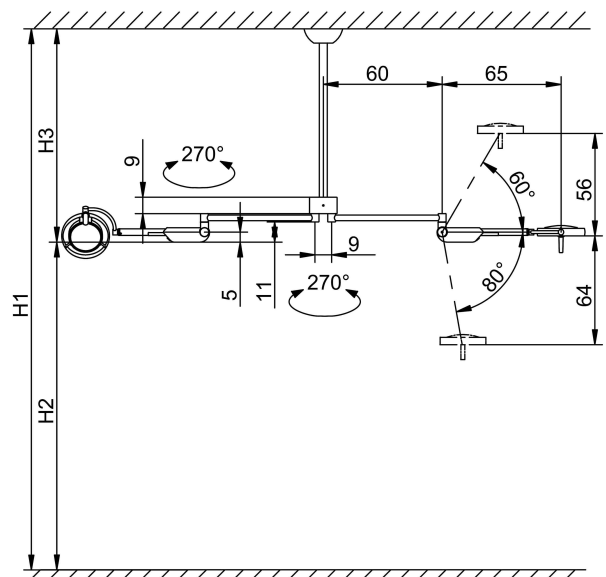
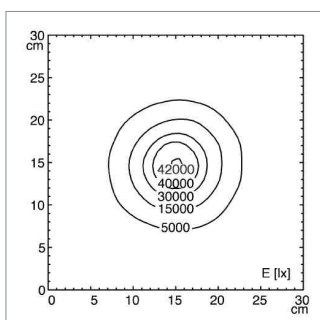
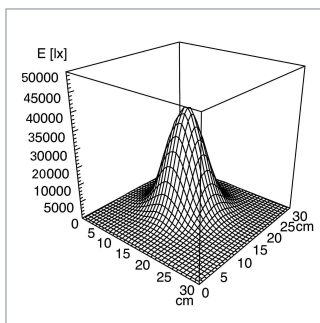
TREATMENT LIGHTS

FITTED WITH	2 x LED lamp
LUMINOUS POWER	2 x 42000 Lux / 1.0 m *
ILLUMINANCE FIELD 1.0 M	Ø 18 cm *
COLOR RENDERING INDEX (CRI)	> 95
COLOUR TEMPERATUR	4300 K *
DEPTH OF ILLUMINATION L1+L2	1.47 m
WORK EQUIPMENT	electronic converter
CONNECTED LOAD	220-240V; 50/60Hz
MAINS LEAD	direct power supply
LUMINAIRE BODY	polycarbonate & acrylonitrile butadiene styrene copolymer (PC & ABS)
WEIGHT (NET)	21.0 kg
POWER CONSUMPTION	32 W
USAGE	rocker switch (I/O), 2-stages rocker switch (60/100 %)
BALANCE OF ARTICULATION JOINTS	spring (weight compensation)
CLASS OF PROTECTION	I
NORMS	EN 60601-1, EN 60601-2-41
ROOM HEIGHT	230 cm, ceiling clearance 30 cm
SPECIAL FEATURES	without grip, switchable, maintenance free
FASTENING	ceiling mount, intermediate ceiling adapter (on request)
SYSTEM OF PROTECTION	IP 40
ORDER NUMBER	D15482000 - pure white



LIGHT DISTRIBUTION

TECHNICAL DRAWING



* -10% / +20% tolerance